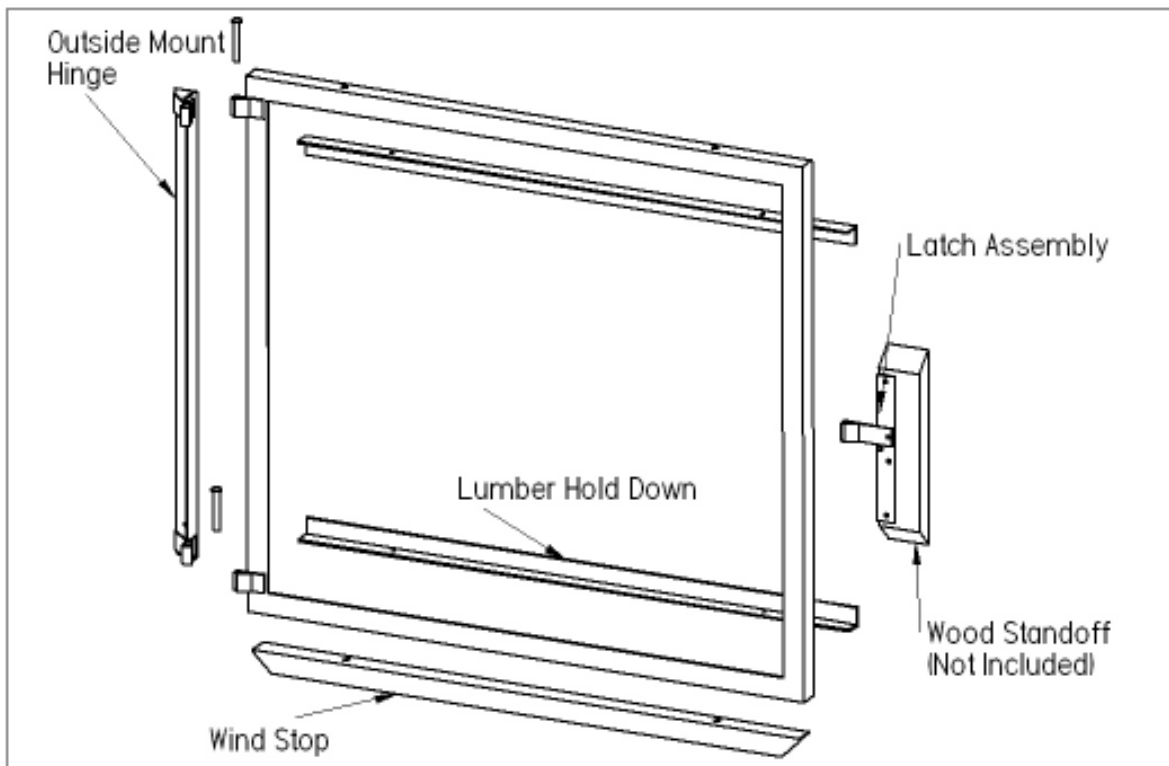
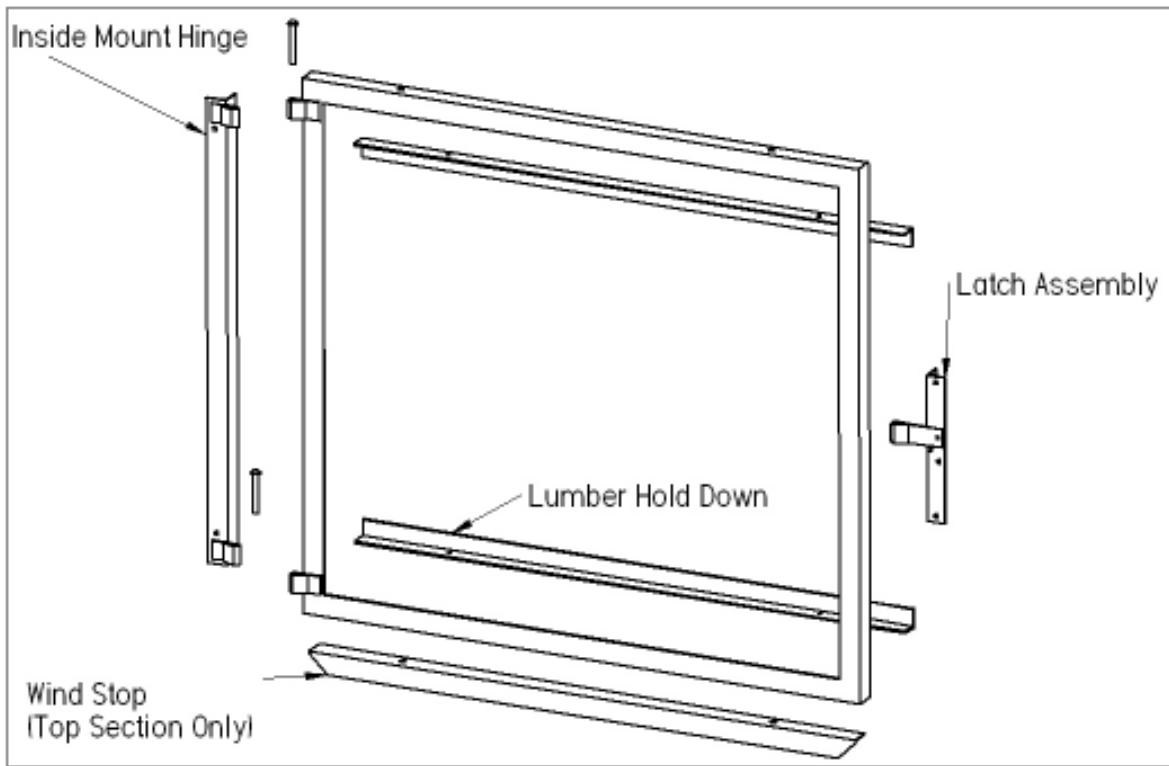


Dutch Doors





Inside Mount Hinge



Inside Mount Hinge Closeup



Latch Open



Latch Closed

1. Mount hinges to barn at desired height using 5/16 x 1 1/4" lag screws. (**Inside Mount Hinges are used for openings 49 1/2" wide. Outside Mount Hinges are used for openings less than 48" wide.**)
2. Mount Door Frame to hinges with 1/2" x 3" pins provided.
3. Assemble latch by mounting curled flat bar to angle iron latch holder with 5/16 x 1 bolt and locknut. Bolt together at hole just above notch out in center of angle iron.
4. Mount latch assembly to barn at desired height using 5/16 x 1 1/4" lag screws.
NOTE: Wind stop attaches to bottom of top half only.



Country Manufacturing, Inc.

P.O. Box 104

Fredericktown, OH 43019

PH: 740-694-9926

FAX: 740-694-5088